



## ADJUSTING YOUR BLOW OFF VALVE

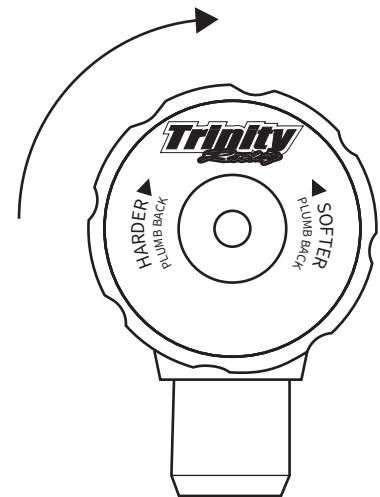
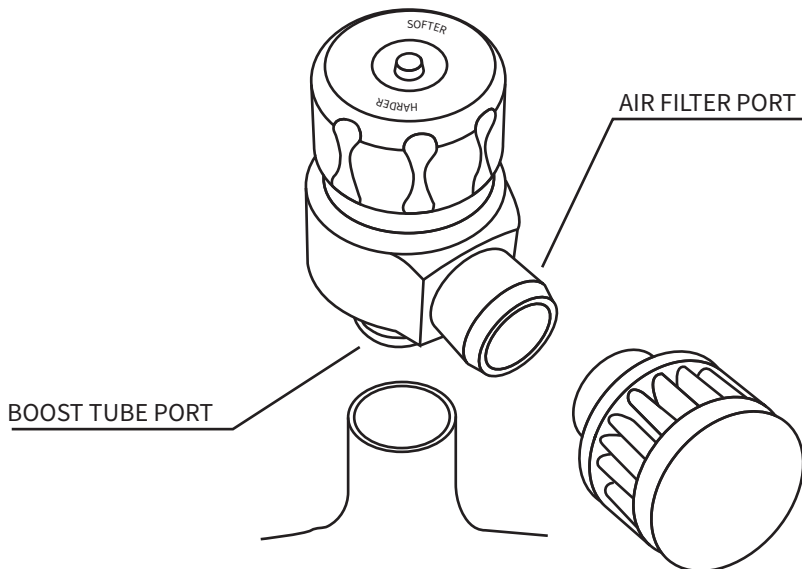
Each BOV needs to be adjusted to suit the vehicle it is being mounted on.

Adjustment to the BOV is made by rotating the cap. To increase the spring force on the piston, rotate the cap clockwise in the direction of harder as marked on the top of the cap. To decrease the spring force on the piston, rotate the cap counter clockwise in the direction of softer as marked on the top of the cap.

**CAUTION** - Do not rotate the cap beyond the first O-Ring.

## INITIAL ADJUSTMENT OF YOUR BLOW OFF VALVE

1. Start with the BOV cap at the maximum soft position. The O-Ring should be completely covered by the edge of the cap.
2. Rev the engine when the vehicle is in park and back off quickly. The engine should return to normal idle speed. If the engine drops below idle or stalls, increase the spring tension by one turn.  
(SEE DIAGRAM 1)
3. Repeat this process until the engine revs and returns to normal idle speed.
4. If the valve doesn't "Blow Off" the tension is too tight.
5. Test drive the vehicle and ensure the vehicle is operating normally.



SEE DIAGRAM 1